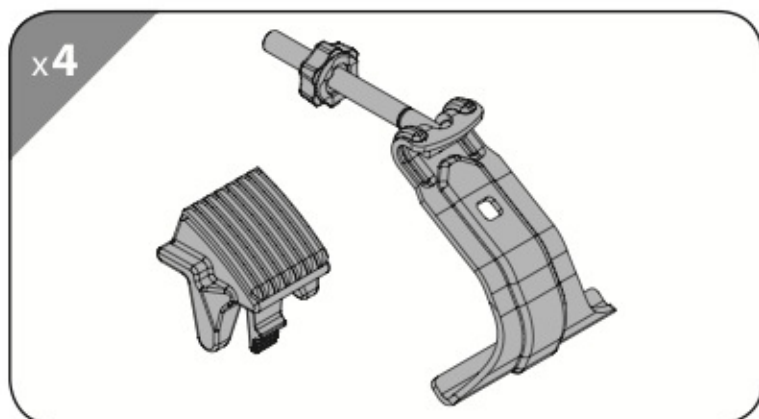


K 0 Art. N21410

K 3 Art. N21413

CLAMP-Kit

FLUSH RAILING



Ⓘ Per ⒼⒹ For Ⓕ Pour Ⓓ Für Ⓔ Para

SNAP SERIES

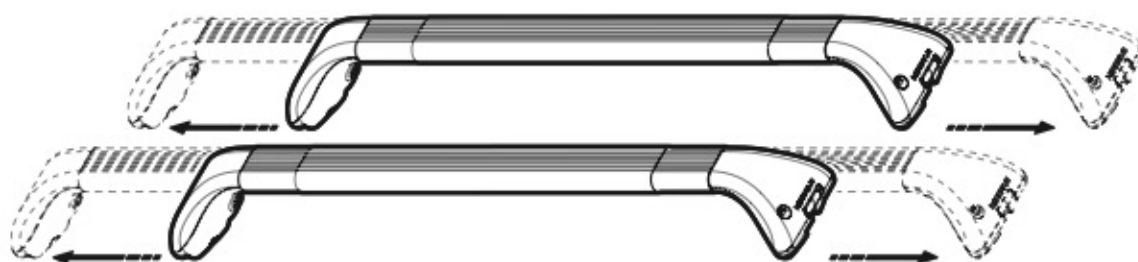
TELESCOPIC BARS

Acciaio / Steel / Acier / Stahl / Acero

N15010 - N15012 - N15014 - N15016

Alluminio / Aluminium / Aluminio

N15011 - N15013 - N15015 - N15017

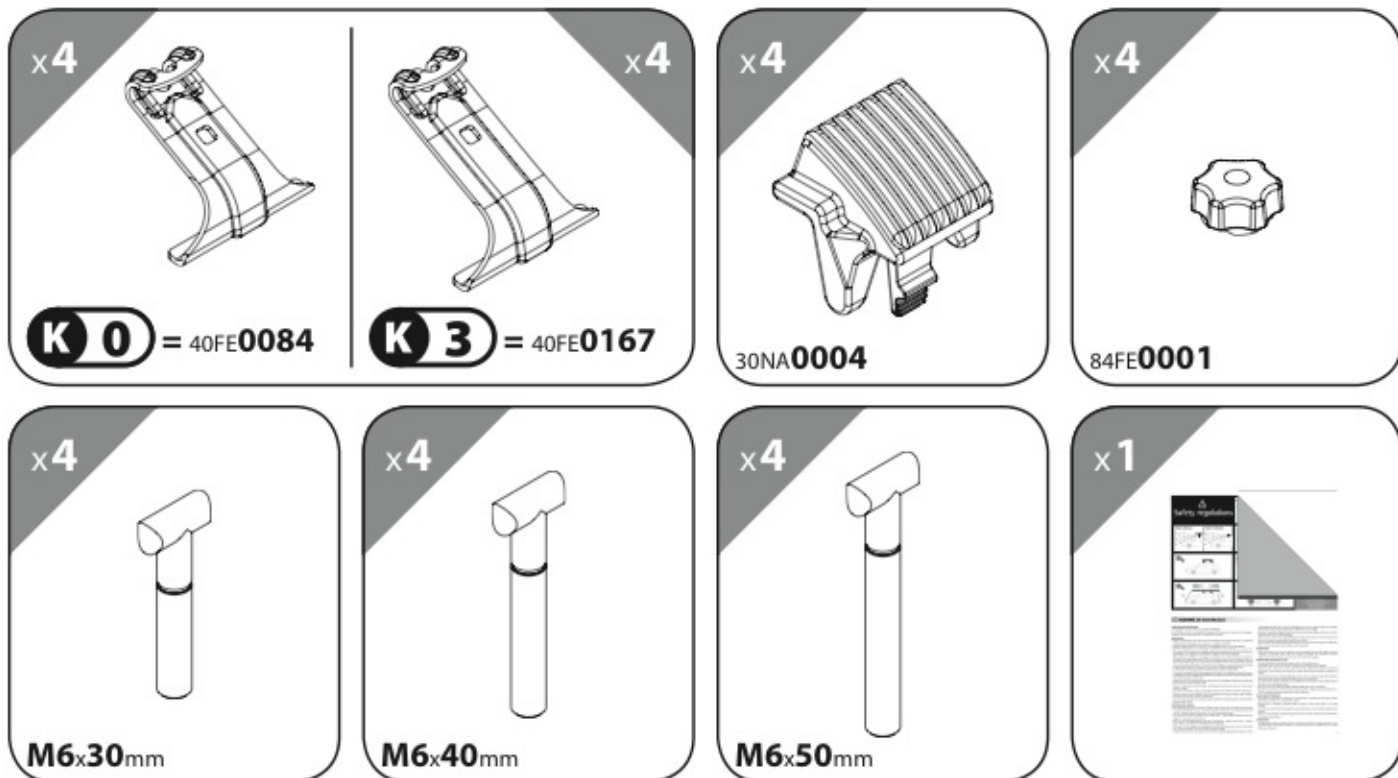


TESTATO E CERTIFICATO

MAX
100 KG



TESTED AND APPROVED - GEPRÜFT UND ZERTIFIZIERT



Ⓛ Per Ⓜ For Ⓧ Pour Ⓞ Für Ⓟ Para

x2

SNAP SERIES TELESCOPIC BARS

Acciaio / Steel / Acier / Stahl / Acero

Art. **N15010** 5,5 Kg.
 Art. **N15012** 7 Kg.
 Art. **N15014** 5,5 Kg.
 Art. **N15016** 7 Kg.

Alluminio / Aluminium / Aluminio

Art. **N15011** 3,5 Kg.
 Art. **N15013** 4 Kg.
 Art. **N15015** 3,5 Kg.
 Art. **N15017** 4 Kg.

1

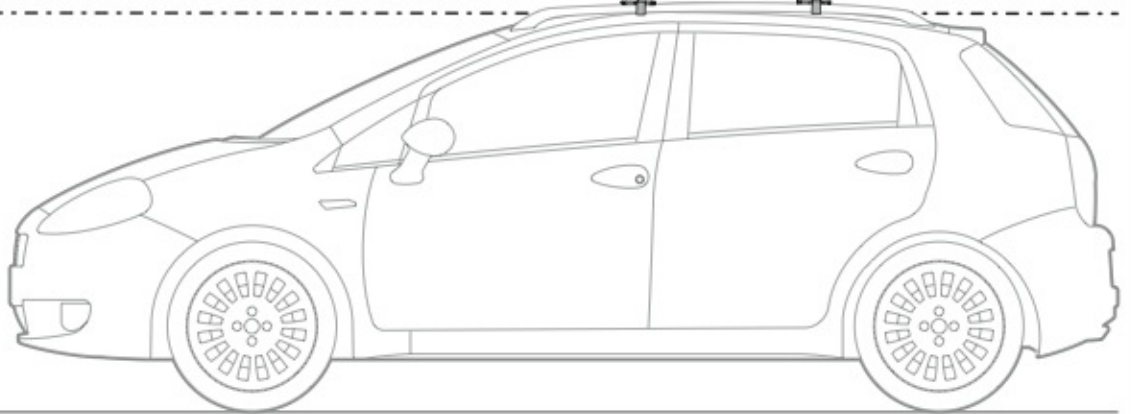
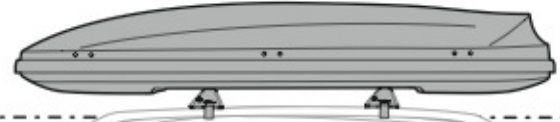


MAX
100 KG



TESTATO E CERTIFICATO
TESTED AND APPROVED
GEPRÜFT UND ZERTIFIZIERT

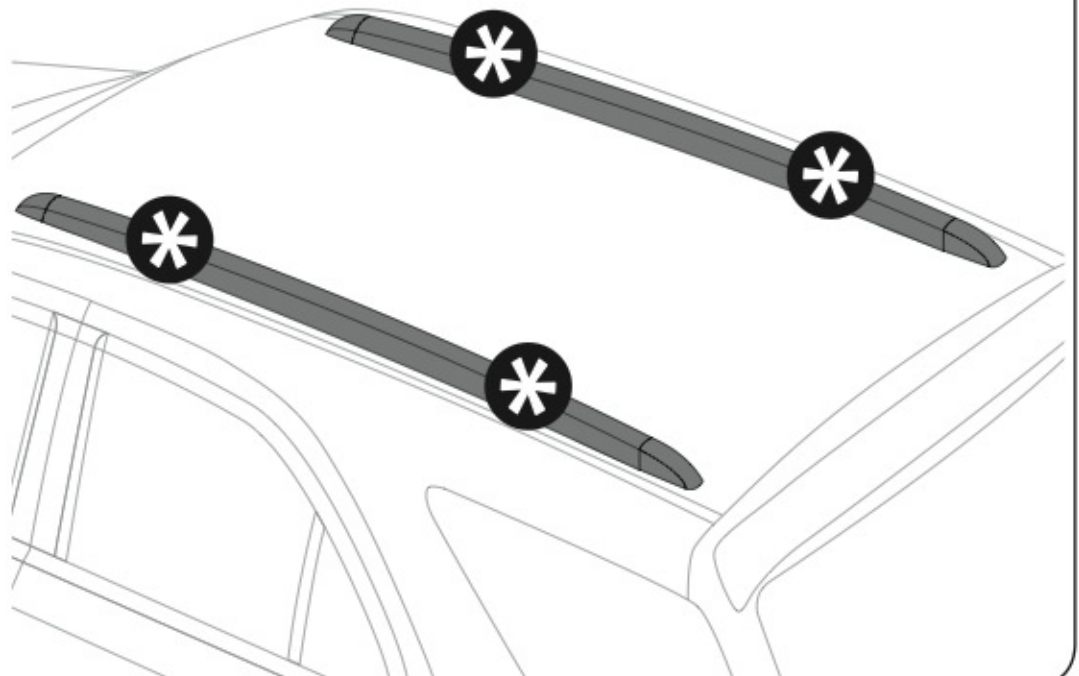
1
2

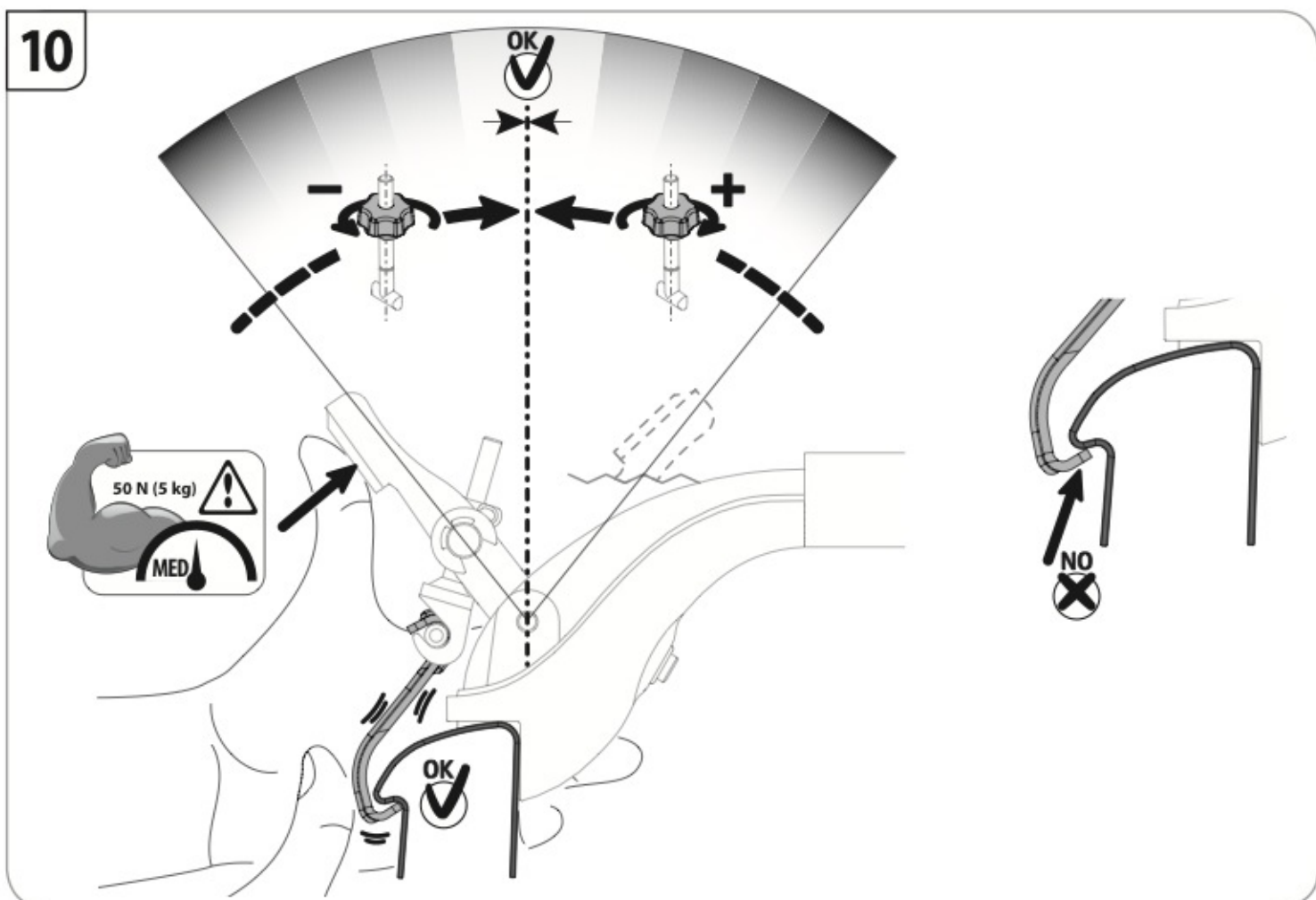
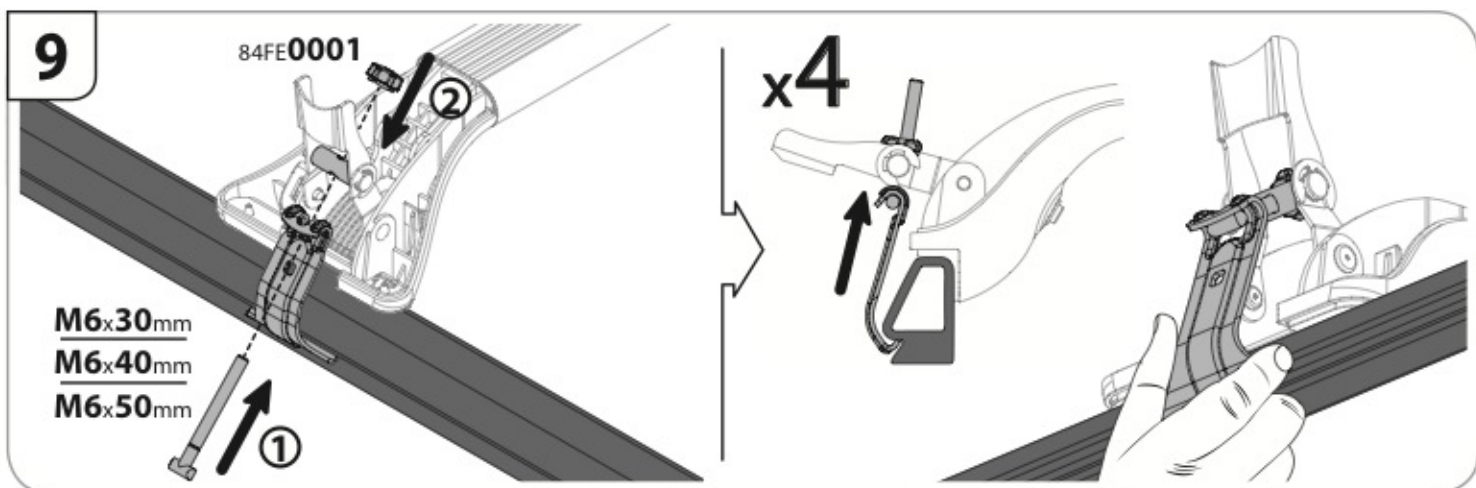
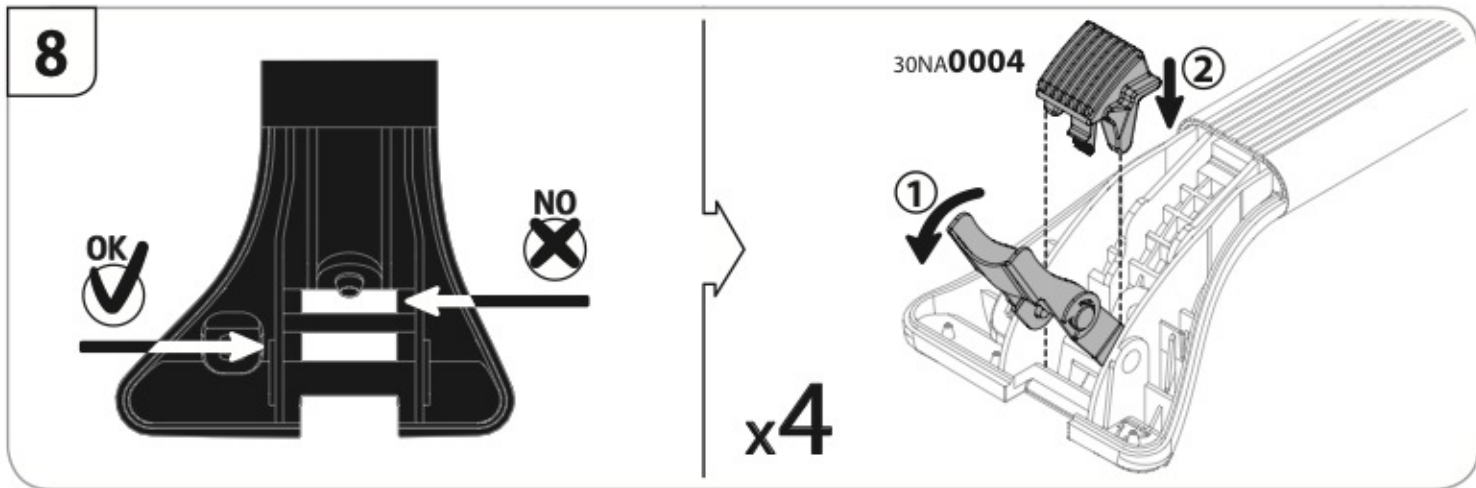


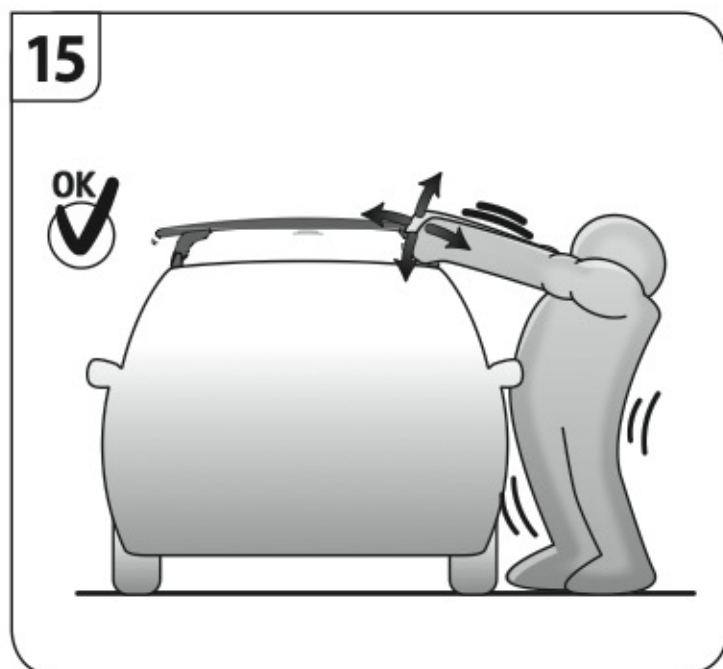
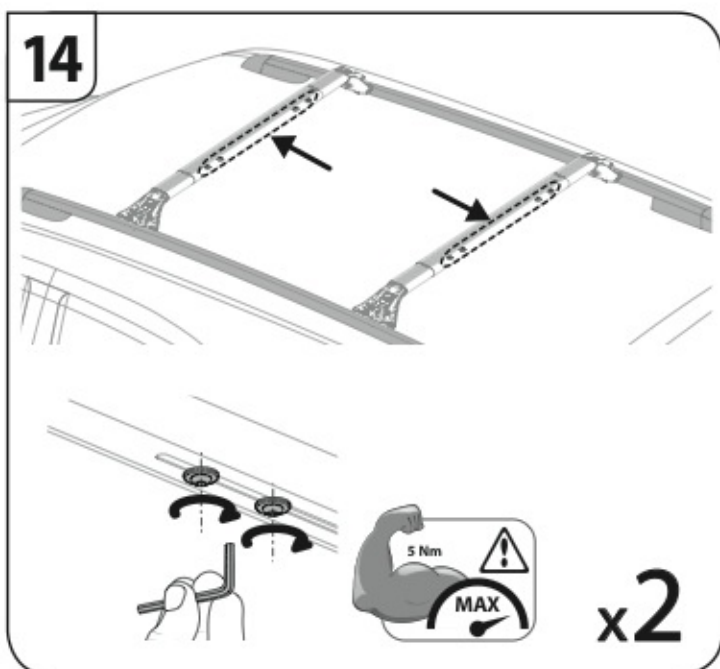
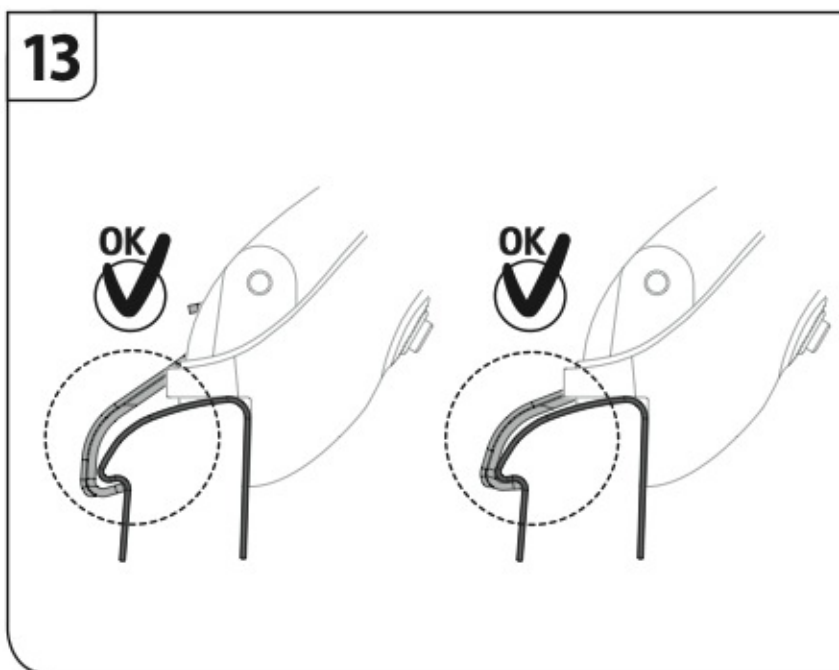
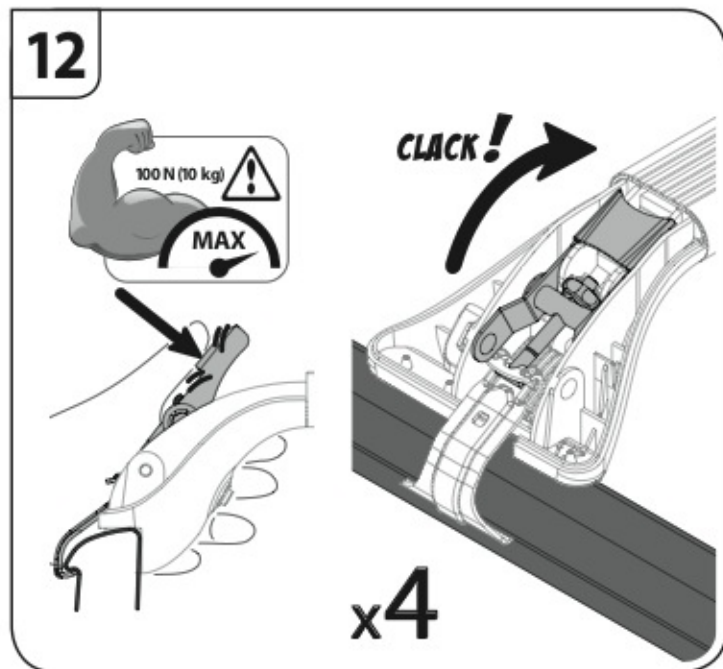
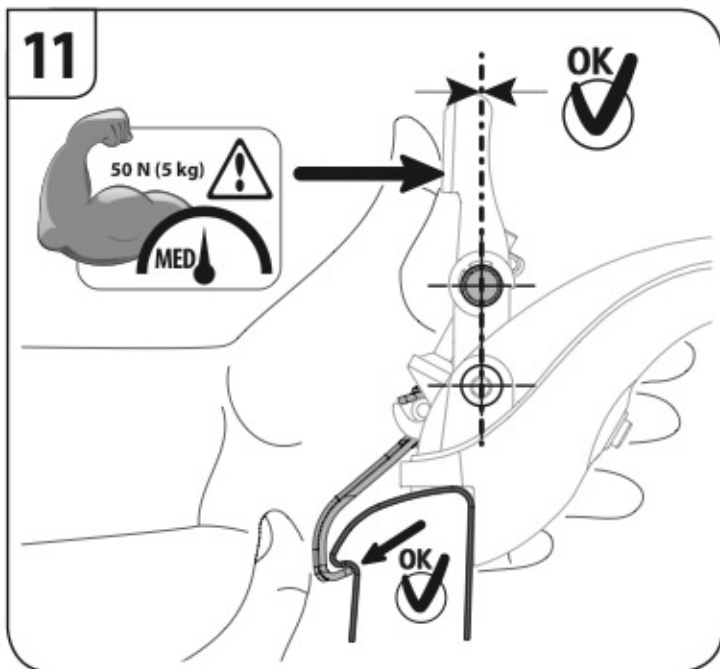
2



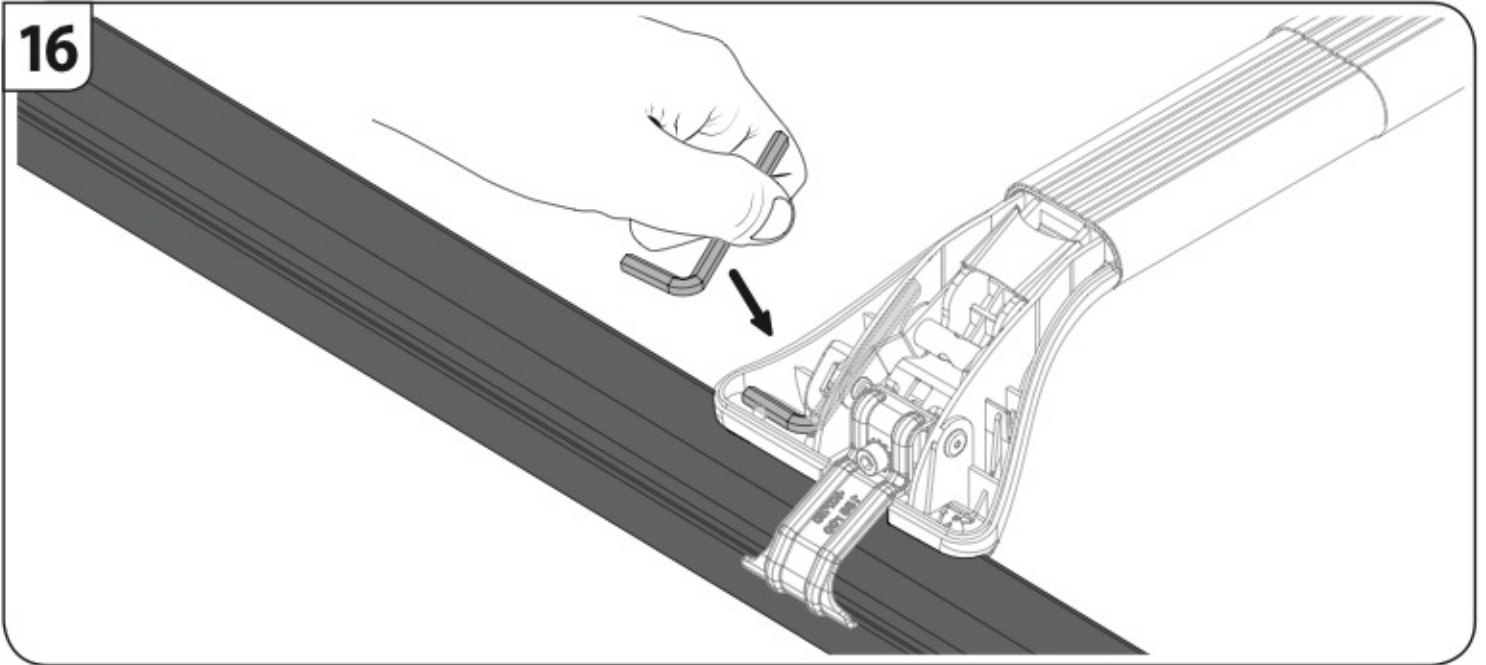
Safety Regulations



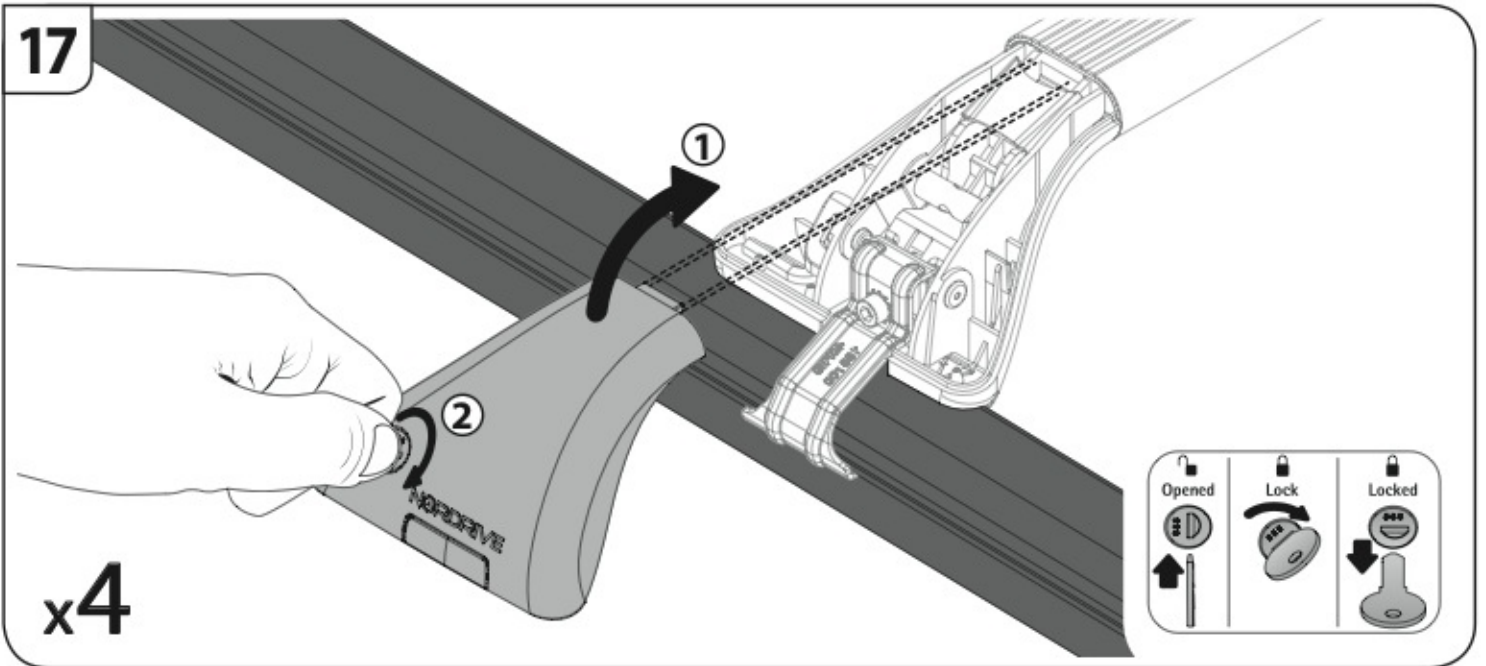




16



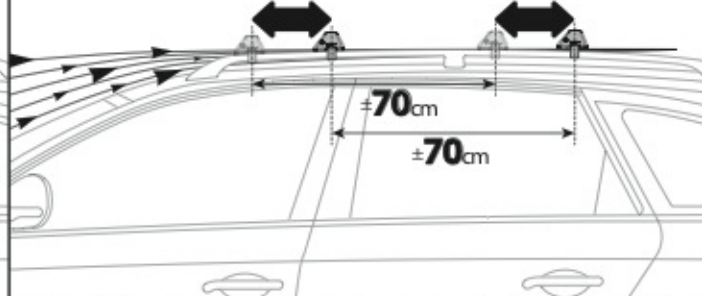
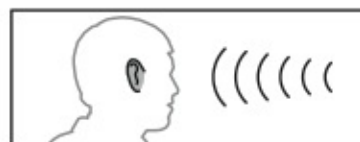
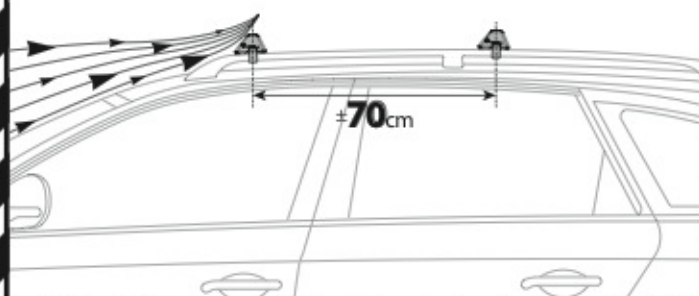
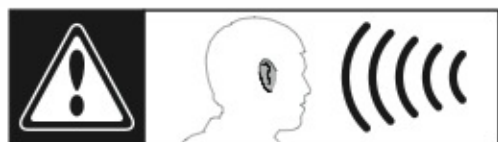
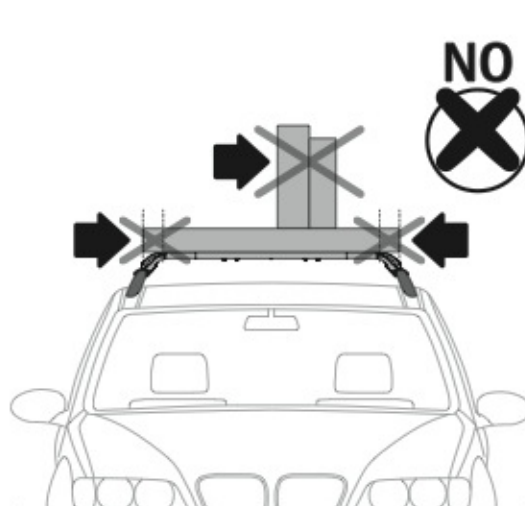
17





ATTENZIONE

WARNING



NORDRIVE[®]
TRANSPORT SOLUTIONS

is a registered trademark of

LAMPA S.p.A.

46019 Viadana (MN) ITALY

Ditta certificata UNI ENI ISO 9001:2008

www.nordrive.it www.lampa.it